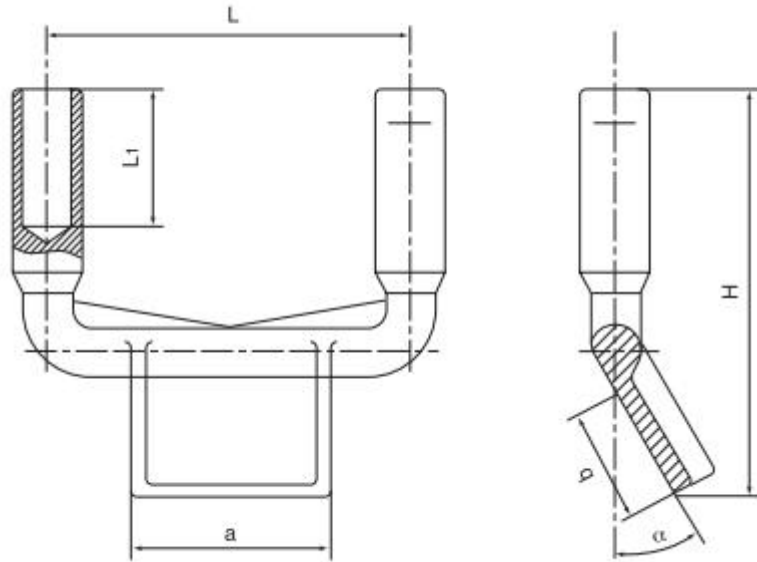


Overview

Terminal connectors are fittings that connect wires and electrical equipment to transmit electrical loads and bear certain mechanical loads.

Compressed aluminum terminal connectors are constructed by hydraulic or explosive pressure, with good electrical contact performance, and are suitable for permanent connections.

Two manufacturing processes are adopted for compressed aluminum terminal connectors: terminal connectors with a section of 400mm and below can be pressed with aluminum tubes; Terminal connectors with a cross section of 500mm² and above shall be welded with aluminum tube or cast.



Parameter

Catalog No.	Suitable Conductor	Dimensions(mm)						Weight (kg)
		L1	α	a	b	H	L	
SSY-300/120A	LGJ-300	110	0°	100	110	296	120	1.7
SSY-300/120B	LGJ-300	110	30°	100	110	288	120	1.8
SSY-300/200A	LGJ-300	160	0°	100	120	293	200	1.6
SSY-300/200B1	LGJ-300	160	45°	100	100	258	200	1.6
SSY-300/200c	LGJ-300	160	90°	100	120	185	200	1.6
SSY-400/120A-1	LGJ-400	120	0°	120	130	325	120	1.4
SSY-400/200A	LGJ-400	160	0°	120	130	315	200	2.6
SSY-400/200B1	LGJ-400	160	45°	120	130	275	200	2.1
SSY-400/200C	LGJ-400	160	90°	120	135	195	200	2.1
SSY-500/35	LGJ-500/35	160	0°	110	110	356	400	2.3
SSY-500/45	LGJ-500/45	160	0°	110	110	356	400	2.3
SSY-500/55	LGJ-500/55	160	0°	110	110	356	400	2.3
SSY-630/45	LGJ-630/45	160	0°	115	115	376	400	3
SSY-630/55	LGJ-630/55	160	0°	115	115	376	400	3
SSY-630/80	LGJ-630/80	160	0°	115	115	376	400	3
SSY-800/55	LGJ-800/55	160	0°	125	125	401	400	3.4
SSY-800/70	LGJ-800/70	160	0°	125	125	401	400	3.4
SSY-800/100	LGJ-800/100	160	0°	125	125	401	400	3.4
SSY-1144N/400-100	NAHLGJQ-1144	150	0°	100	170	329	400	4.5
SSY-1144N/400-134	NAHLGJQ-1144	150	0°	134	125	284	400	4.5